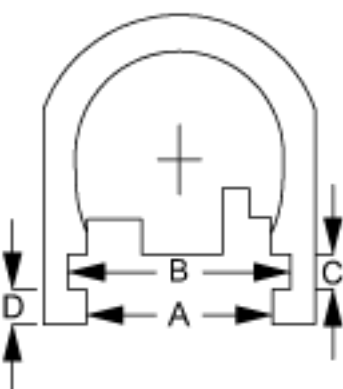


# Matrix Precision Parts Slide Fitting Aid



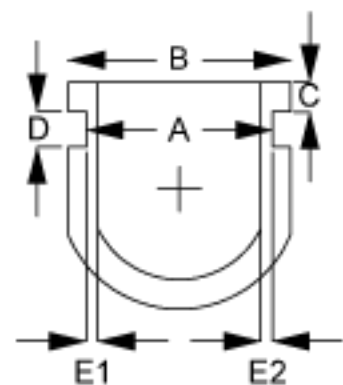
A \_\_\_\_\_

B \_\_\_\_\_

C \_\_\_\_\_

D \_\_\_\_\_

## FRAME



## FRONT

A \_\_\_\_\_

B \_\_\_\_\_

C \_\_\_\_\_

D \_\_\_\_\_

E1 \_\_\_\_\_

E2 \_\_\_\_\_

## REAR

A \_\_\_\_\_

B \_\_\_\_\_

C \_\_\_\_\_

D \_\_\_\_\_

E1 \_\_\_\_\_

E2 \_\_\_\_\_

## SPEC

A **.628**  $+0.000 -0.003$

B **.751**  $+0.000 -0.003$

C **.100**  $+0.000 -0.002$

D **.119**  $+0.002 -0.000$